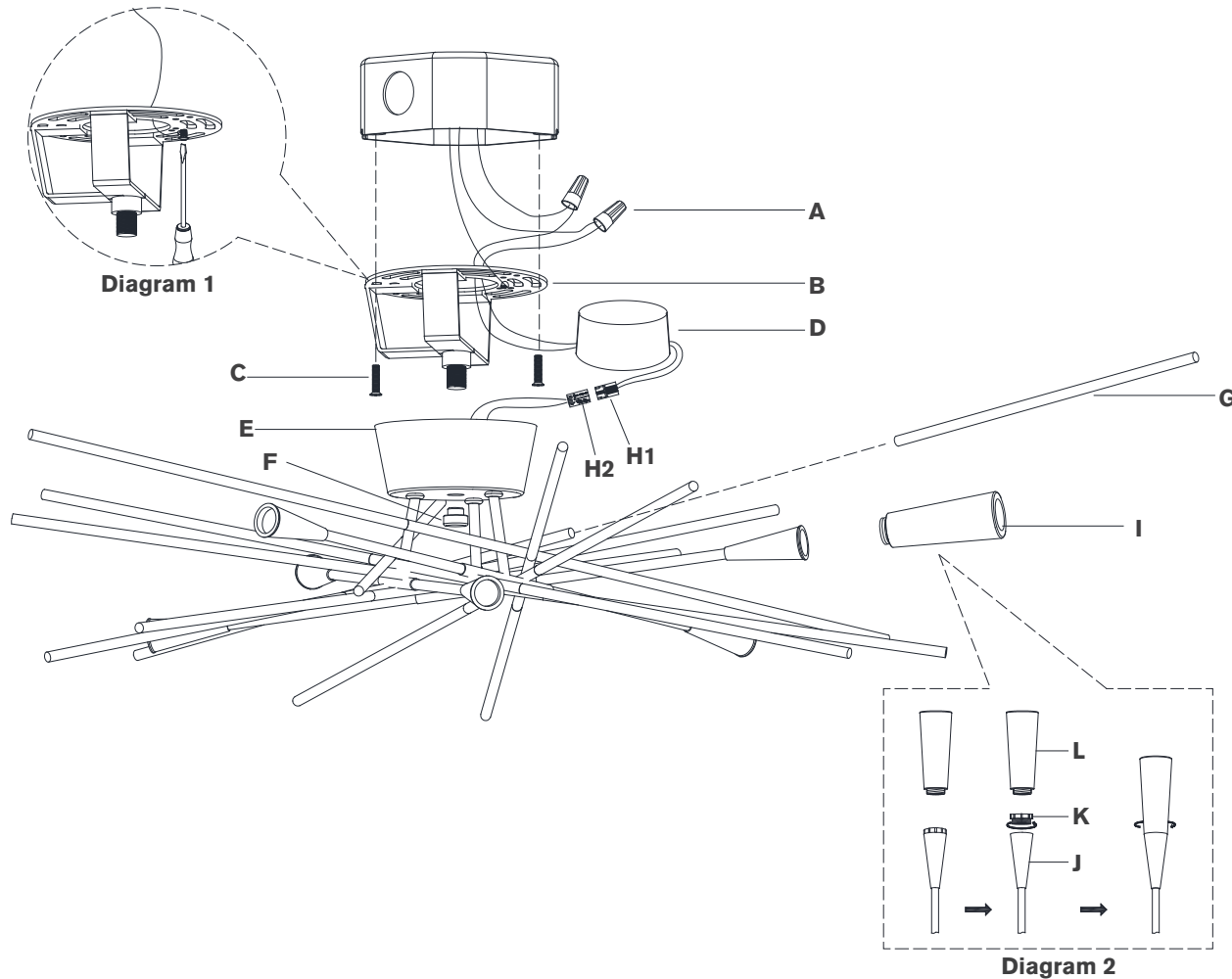


## ASSEMBLY INSTRUCTIONS



## Stellar Flush Mount

Item # CHC4620

### NOTICE:

This light fixture should be installed in accordance with all applicable, local installation codes, and by a person familiar with the construction and operation of it, as well as the hazards involved. Inspect item and contents carefully. If any damage or defect is found, do not install. Retain all packaging material until installation is complete and approved.

### TOOLS REQUIRED (NOT INCLUDED):

Phillips Screwdriver

Slotted Screwdriver

1. Carefully remove all parts from the box. Place on a clean, soft surface.
2. Remove mounting plate (B) from fixture (E) by removing threaded cap (F).
3. Install mounting plate (B) to the junction box and secure with mounting screws (C).
4. Connect supply ground wire (usually green or bare copper) around the green grounding screw. Tighten.  
**NOTE:** It is imperative that the fixture is grounded.
5. Connect driver (D) input neutral wire (white) to the supply neutral wire (usually white) using wire nut (A).
6. Connect driver (D) input hot wire (black) to the supply hot wire (usually black) using wire nut (A).  
**CAUTION:** Do not reverse the hot and neutral connections.
7. Make sure all wire connections are tight, then carefully tuck into the junction box.
8. Insert driver (D) into the mounting plate bracket.
9. Connect quick connectors (H1) & (H2) together.
10. Install fixture (E) to mounting plate (B) and secure with threaded cap (F).

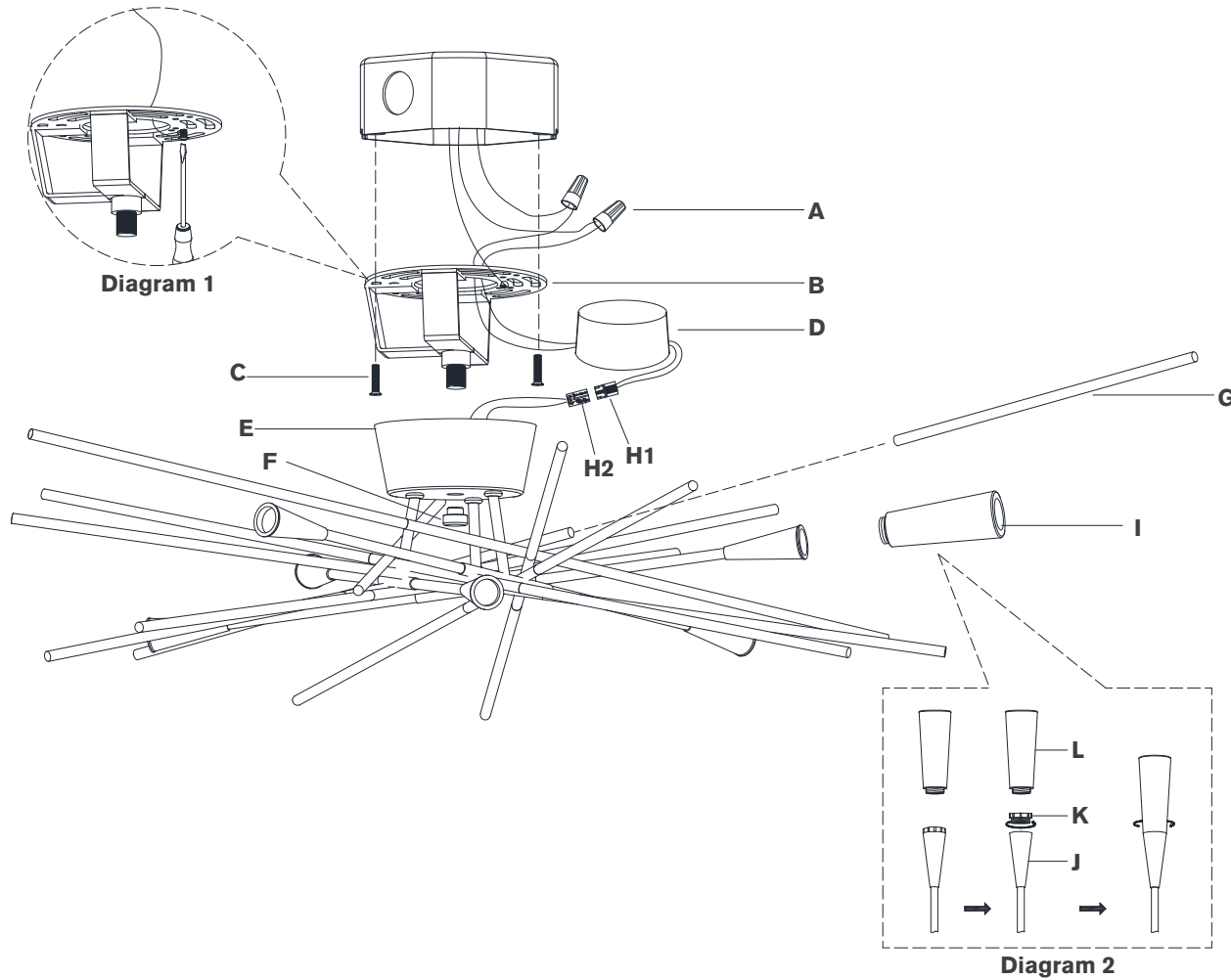
## ASSEMBLY INSTRUCTIONS

### Stellar Flush Mount

Item # CHC4620

#### NOTICE:

This light fixture should be installed in accordance with all applicable, local installation codes, and by a person familiar with the construction and operation of it, as well as the hazards involved. Inspect item and contents carefully. If any damage or defect is found, do not install. Retain all packaging material until installation is complete and approved.



11. Thread metal bars (**G**) to fixture body (**E**).
12. Remove protective caps (**K**) from socket (**J**), then thread diffusers (**I**) to sockets (**J**) as shown in diagram 2.

**Care Instructions:** Clean only with a soft dry cloth or feather duster. Do not use abrasive or chemical agents.