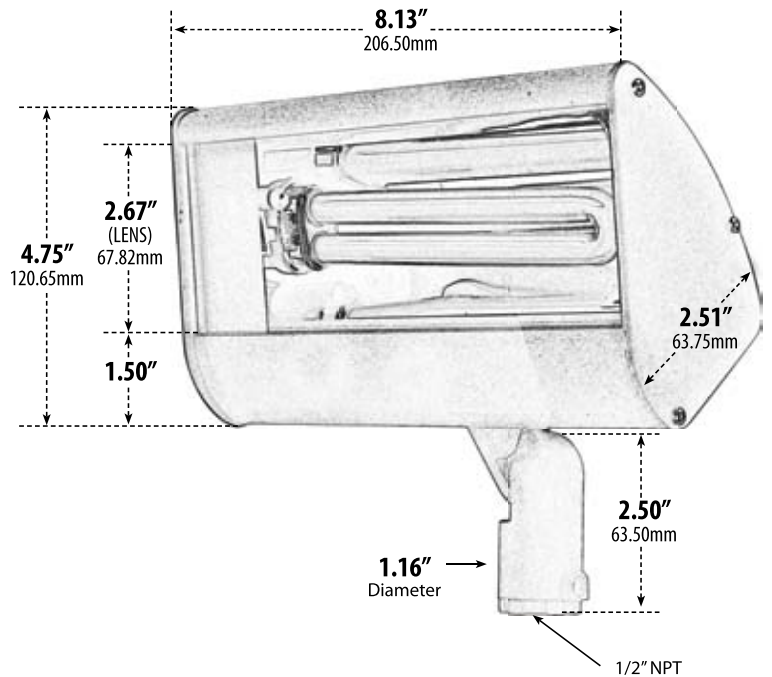


# DF5970

## AREA FLOOD LIGHT



- ▶ **Material:** Powder Coated Cast Aluminum
- ▶ **Lens:** Clear, Heat Resistant, Tempered Glass
- ▶ **Lamp:** PL13 2-Pin

MODEL NUMBER	LAMP TYPE	ILLUMINANT TYPE	WATTS (W)	VOLTS (V)	LAMP(S) INCLUDED?
DF5970	PL13	FLUORESCENT	13	120	YES

- ▶ **Adjustable Knuckle with 1/2" NPT**
- ▶ **Available Color:** Black, Bronze, Sand, Verde Green
- ▶ **Ground Mounting Spikes:** LV-S6 (sold separately)
- ▶ **ETL Approved**

Overall Dimensions:  
7.75"H x 8.13"W x 5.00"D

Maximum Height: 8.25"  
Minimum Height: 4.50"  
Width: 8.13"  
Maximum Depth: 7.25"  
Minimum Depth: 4.50"

Weight: 2.00 lbs  
Approximate Wire Length: 15.00"  
Box Dimensions:  
6.88"W x 8.50"H x 4.00"D

**DABMAR**  
LIGHTING

DABMAR LIGHTING INCORPORATED

2140 Eastman Ave . Oxnard, CA 93030 . 805.604.9090 . f: 805.604.9050 . www.dabmar.com