

D5300

THREE-TIER PAGODA LIGHT PATH, WALKWAY AND AREA LIGHTING



- ▶ **Material:** Powder Coated Cast Aluminum
- ▶ **Lens:** Clear, Heat Resistant, Tempered Glass

MODEL NUMBER	TOP DIA.	BOTTOM DIA.	LAMP TYPE	ILLUMINANT TYPE	WATTS (W)	VOLTS (V)	LAMP(S) INCLUDED?
D5300**	10"	1/2"	A-Type	INCANDESCENT	25	120	NO
D5302	10"	1/2"	S13-GU24	FLUORESCENT	13	120	YES
D5310**	10"	3"	A-Type	INCANDESCENT	25	120	NO
D5312	10"	3"	S13-GU24	FLUORESCENT	13	120	YES

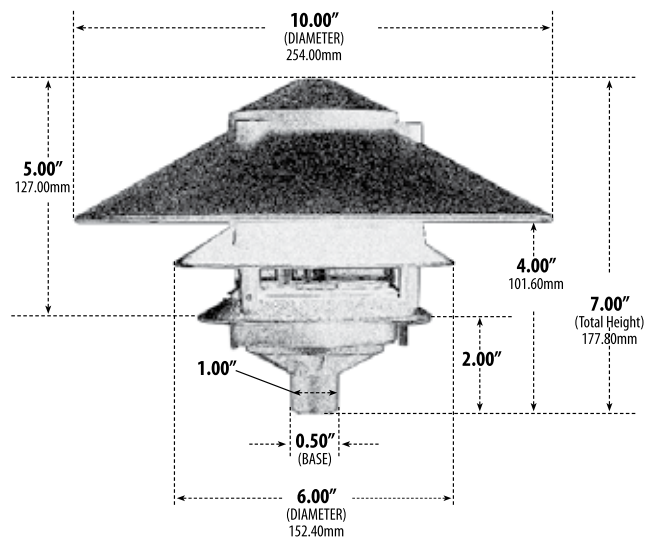
- ▶ **Riser Not Included**
- ▶ **1/2" NPT or 3" Base** (Not available in Bronze)
- ▶ **Replacement Glass Lens:** P-GLS-D5000 (sold separately)
- ▶ **Available Finish:** Black, Bronze, Green, Verde Green
- ▶ **ETL Approved**

**AVAILABLE IN A-19 5W LED Add -LED5 to Model Number

Overall Dimensions:
7.00"H x 10.00"W x 10.00"D

Weight: 2.20 lbs
Approximate Wire Length: 24 "

Pagoda Head Only
(No Stem or Ground Spike
Included)



DABMAR
LIGHTING

DABMAR LIGHTING INCORPORATED

2140 Eastman Ave . Oxnard, CA 93030 . 805.604.9090 . f: 805.604.9050 . www.dabmar.com